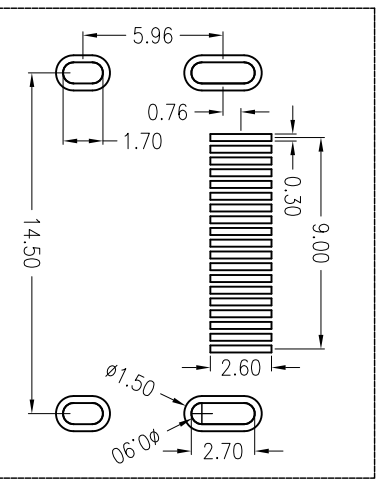
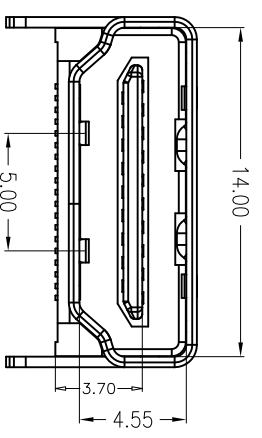
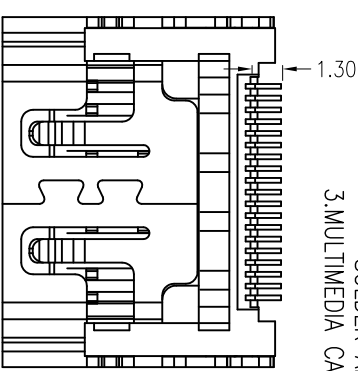
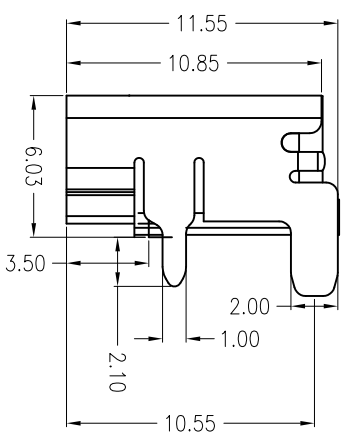
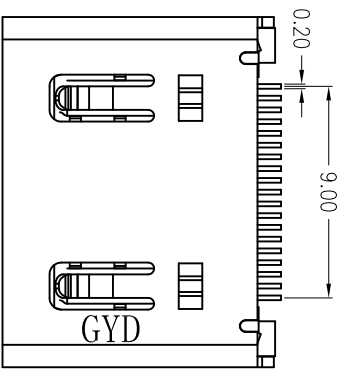
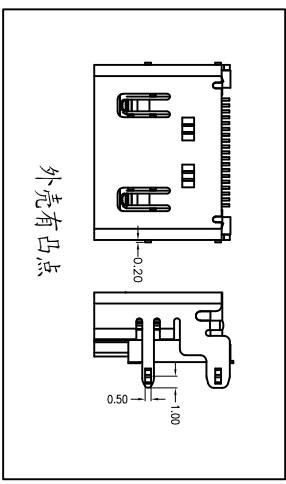
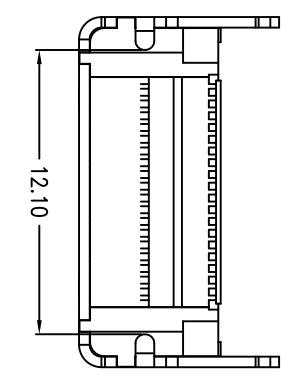


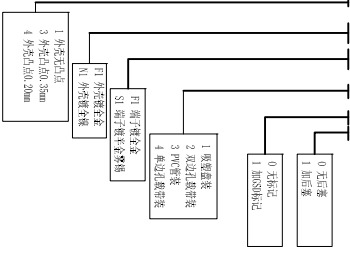
REV.	DESCRIPTION	APPD	DATE



NOTES:

- MATERIAL:  
HOUSING: HIGH TEMPERATURE THERMOPLASTIC  
UL94V\_0,COLOR:BLACK.  
CONTACT: COPPER ALLOYS.  
COVER: COPPER ALLOYS OR STEEL.
- PLATING:  
UNDERPLATE: NICKEL.  
CONTACT AREA: GOLD OVER NICKEL.  
SOLDER AREA: TIN OVER NICKEL.
- MULTIMEDIA CARD COMPATIBLE

订购需知: HDA6X-XXXX-XOXX-A



东莞市高铎达电子科技有限公司

PART NO: HDA6X-XXXX-XOXX-A	MATERIAL:	TITLE: HDMI A TYPE (包胶短体版)	
LOT NO:	FINISH:	DR: 杨凯 060910	DWG NO: FP-100070
UNIT: MM	SIZE: A4	COLOR:	REV: C/0
TOLERANCES: X.X=±0.35 X.XX=±0.25 X.XXX=±0.15		GENERAL ANGLE: X.X=±3.0° X.XX=±2.0°	
APP:	SCALE: 1:1	SHEET: 1 OF 4	REV: C/0

RECOMMENDED P.C.B HOLE LAYOUT  
COMPONENT SIDE VIEW(TOLERANCE: +/-0.05)